



# **ETHERNET SERIES**

## **UNDERWATER AND HARSH ENVIRONMENT CONNECTORS**

**Ethernet series marked the first high speed underwater communications system to offer true Ethernet type performance. The series is developed and manufactured to accommodate the demand for gigabit data speed, signal and power for increasingly capable and compact underwater systems. The series includes different types of Ethernet and combined power and Ethernet connector options in circular, metal shell and low profile configurations.**

**Ethernet connectors are capable of Gigabit speed performance and feature a high depth rating. Ethernet connectors are set to maximise data flow while eliminating cross talk and noise. With power contacts rated for 600 V at 4 A, combined power and Ethernet connectors allow signal and power supply to be unified in one high performance solution.**

**Ethernet connectors are available with specially designed Ethernet or combined power and Ethernet cables capable of Gigabit speed data transfer up to a distance of 75 metres. This flexible and water-resistant cable is manufactured from polyurethane (PUR). Ethernet connectors come with colour-coded leads and are available in bulkhead, inline, PressureBalanced Oil Filled (PBOF) and field installable overmould versions, together with injection moulded polyoxymethylene (POM) or stainless steel locking sleeves.**

## **Applications**

**Remotely Operated Vehicle (ROV) and Remotely Operated Towed Vehicle (ROTV) systems**

**Oceanographic systems, equipment and instrumentation solutions**

**Offshore oil and gas, renewable energy and subsea systems**

**Defence systems and equipment**

**Underwater camera and video systems**

**Underwater control systems**

## **Options**

**Customised harness cables and direct moulding to selected polyurethane (PUR) cables**

**Customer specified cable, wire leads and bulkhead thread lengths**

**Customer specified connector body material**



strong  
x  
durable



# OUR ADVANTAGES



## EASY SOLUTIONS

ADAPTABILITY IS ONE OF OUR BEST QUALITIES. IT PERMIT US TO COPE WITH YOUR REQUEST ON A SHORT NOTICE AND EFFECTIVELY.



## NO PRICE FIGHTS

WE ESCAPED THE CLASSICAL "REBATE UNTIL YOU DROP" POLICY. WE ARE PRICE WISE SINCE THE BEGINNING.



## HIGH LEVEL EXPERIENCE

OUR TECHNICAL CAPABILITIES HAVE BEEN TESTED FOR MORE THAN 30 YEARS AND IN DIRECT CONNECTION WITH END USERS. SO TO SAY.



## ENDLESS INVESTIGATION

WE CONTINUOUSLY MEASURE EVERYTHING. TEST, TEST AND TEST AGAIN. THIS HELPS US UNDERSTAND RISKS AND REWARDS. AND BE PREPARED.



## NO FORTUNE TELLER

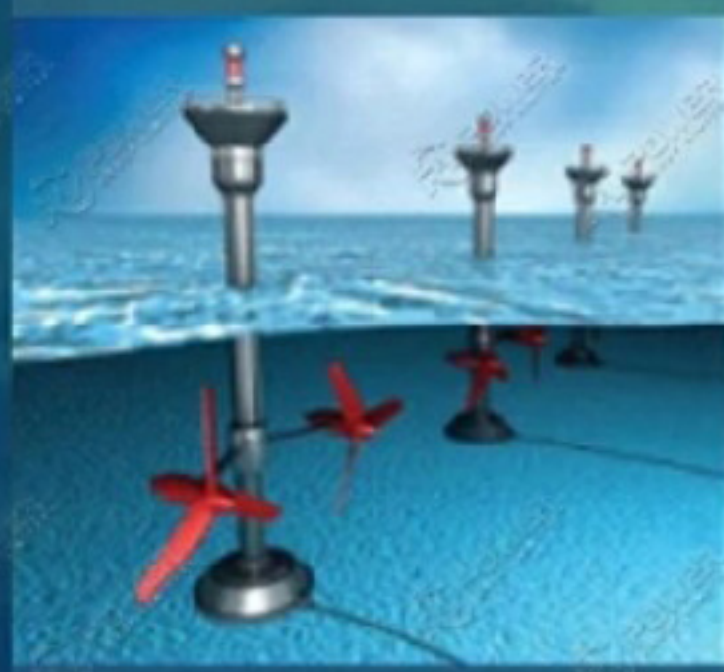
WE BASE OUR DECISIONS ON CLEAR BUSINESS PLANS, THINKING BEFORE MAKING OUR STEPS AND KEEPING A "NOT TO DO" LIST FOR EVERYONE OF THEM.



## TEAM BUILDING

OUR TEAM IS MADE NOT ONLY BY OUR STAFF BUT IT INCLUDES ALSO ALL OUR CUSTOMERS. WE ACT LIKE A TEAM. WE GROW LIKE A TEAM. WE WIN LIKE A TEAM.

# APPLICATION



Marine Renewable Energies



Diving



Oil and Gas



Towed Streamers



Submarines



Water Treatment



ROVs & AUVs



Vessels



Geophysics

strong  
x  
durable



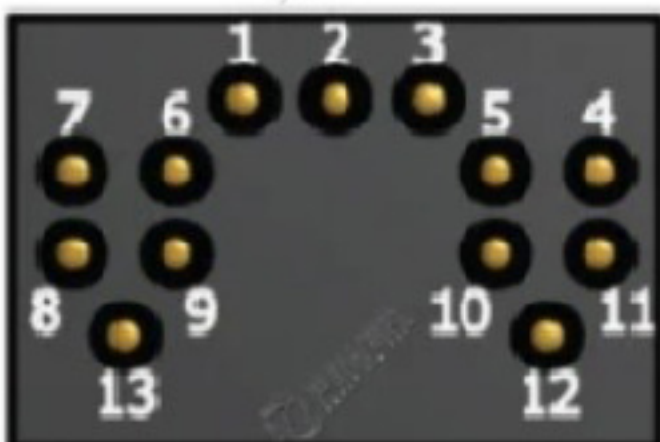
# PRODUCT MIX



Ethernet Circular - 8 contacts

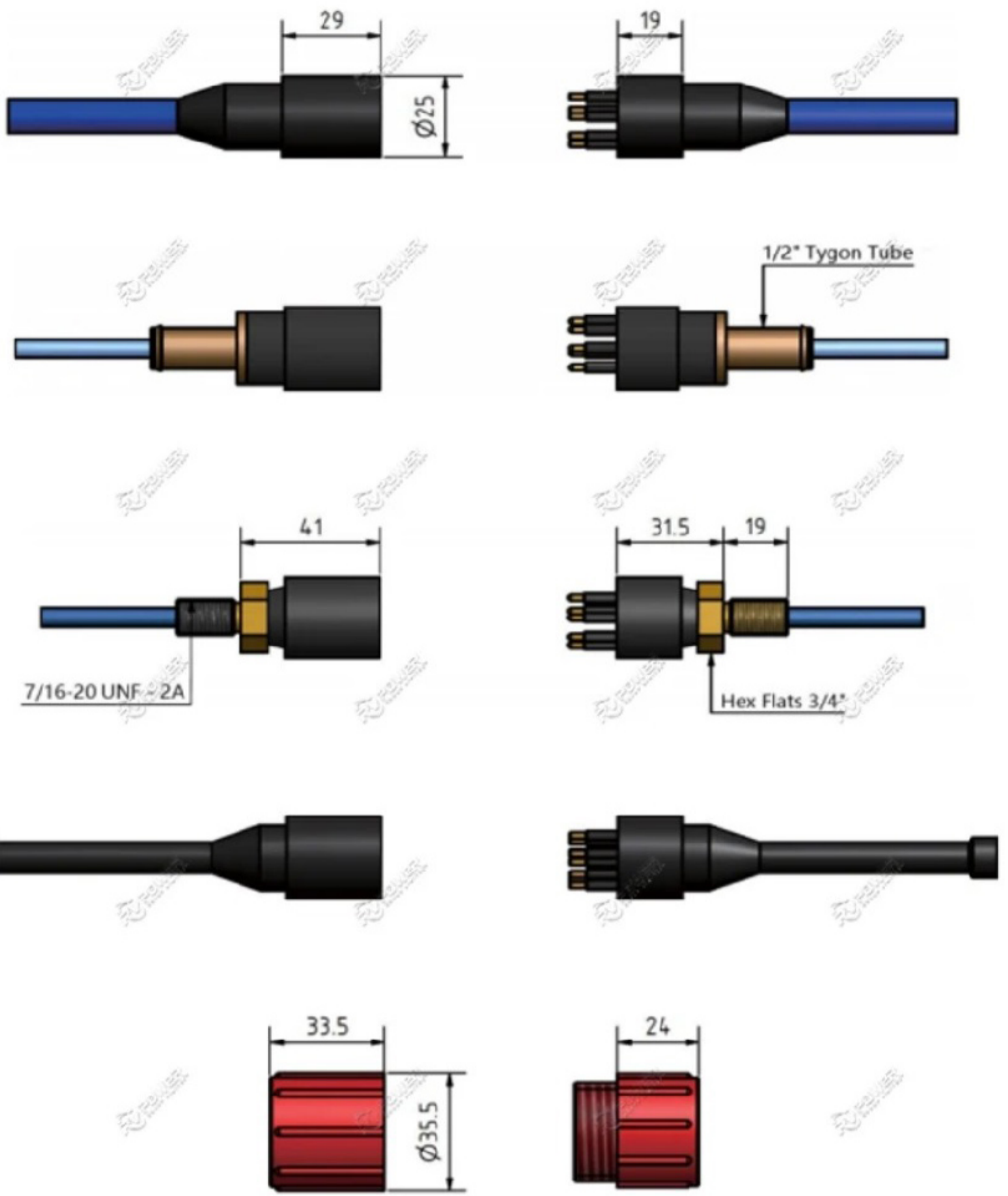


Power Ethernet Circular - 13 contacts

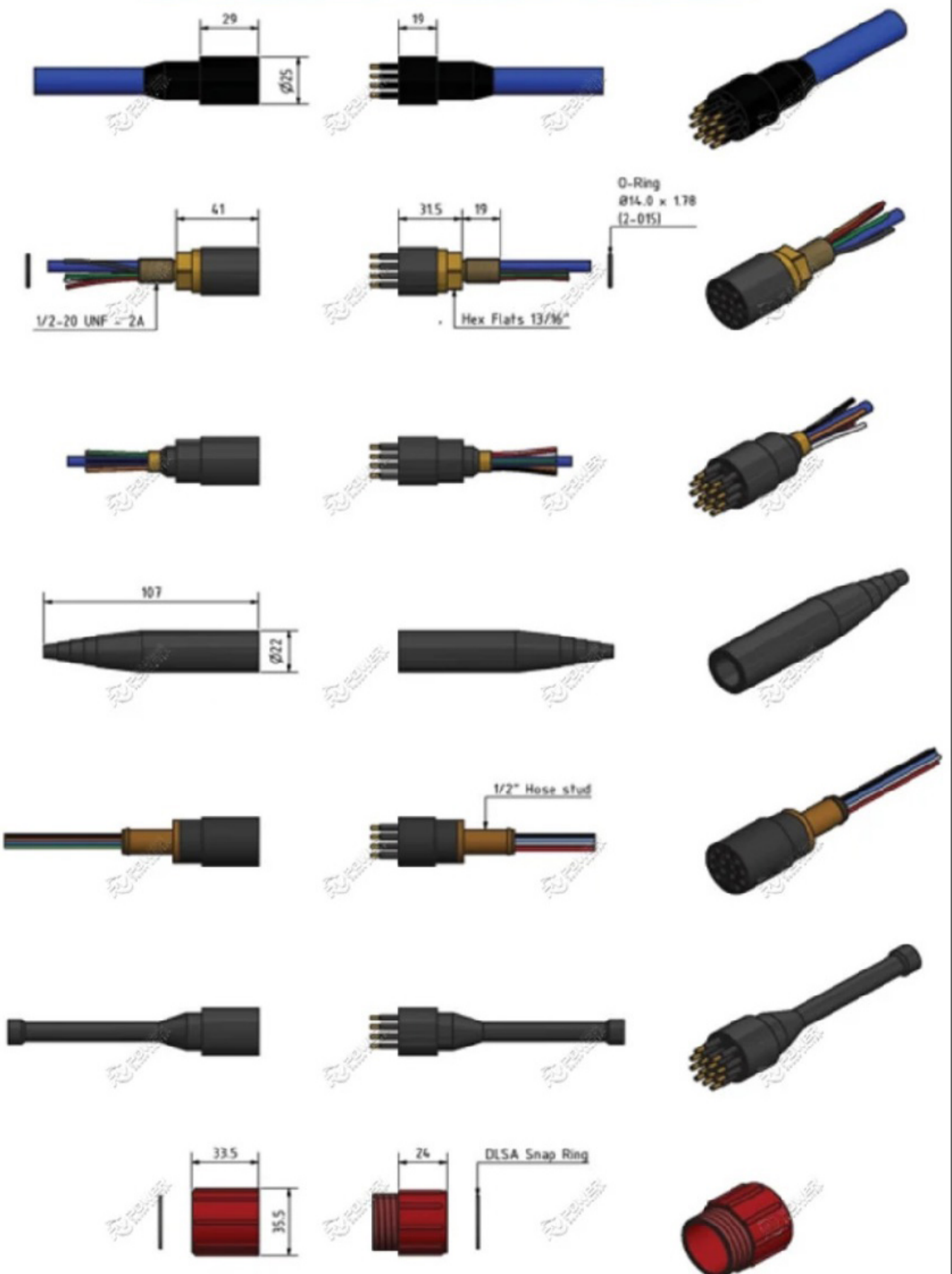


Power Ethernet Low  
Profile - 13 contacts

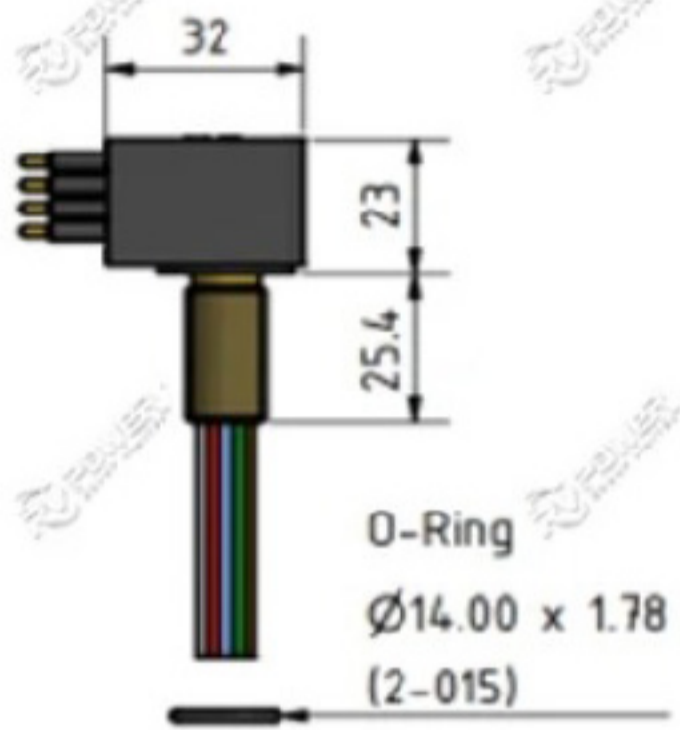
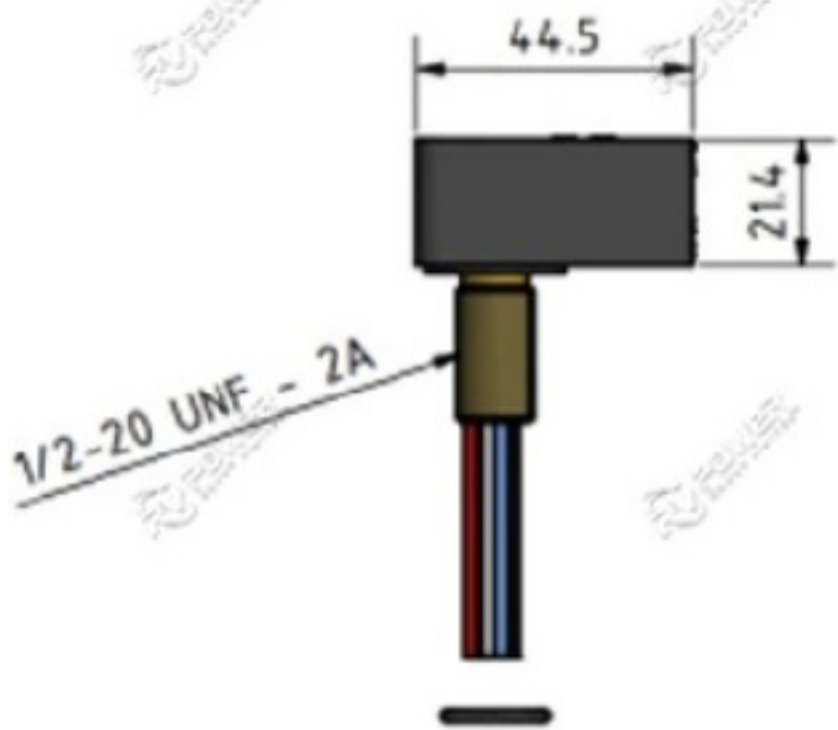
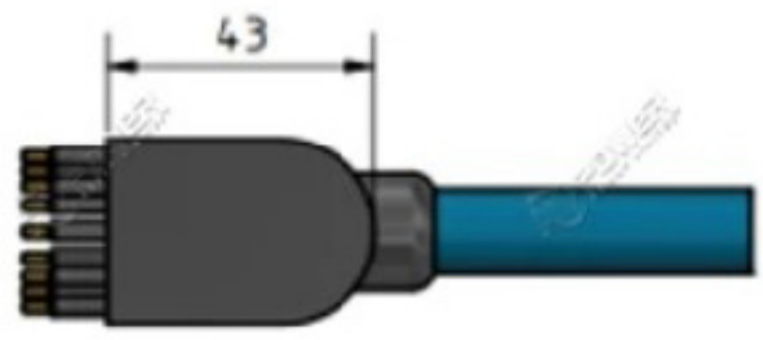
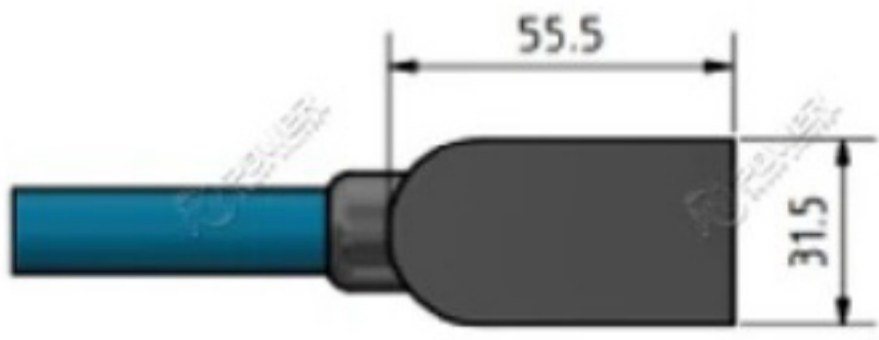
## Ethernet Circular 8contacts

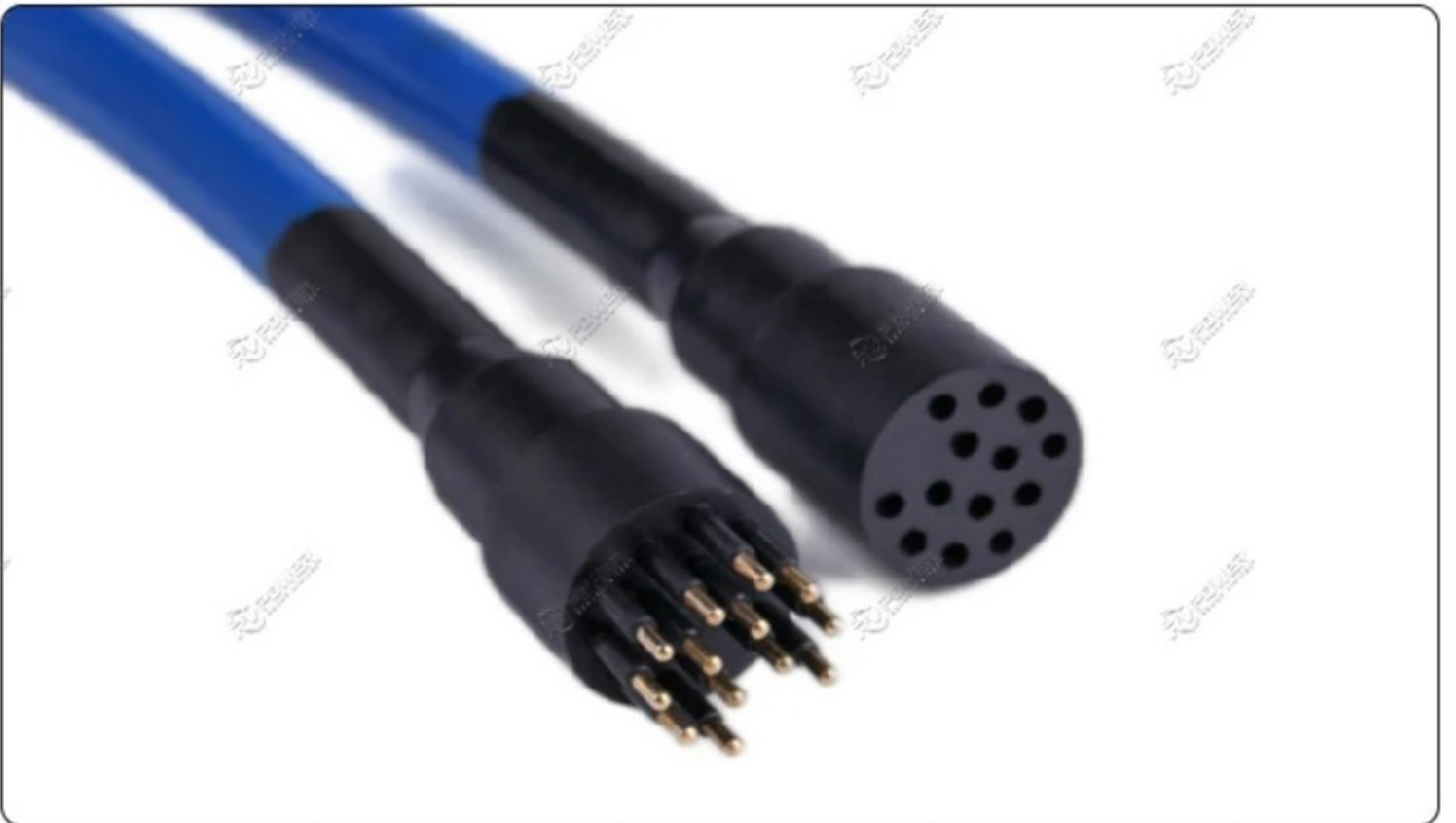
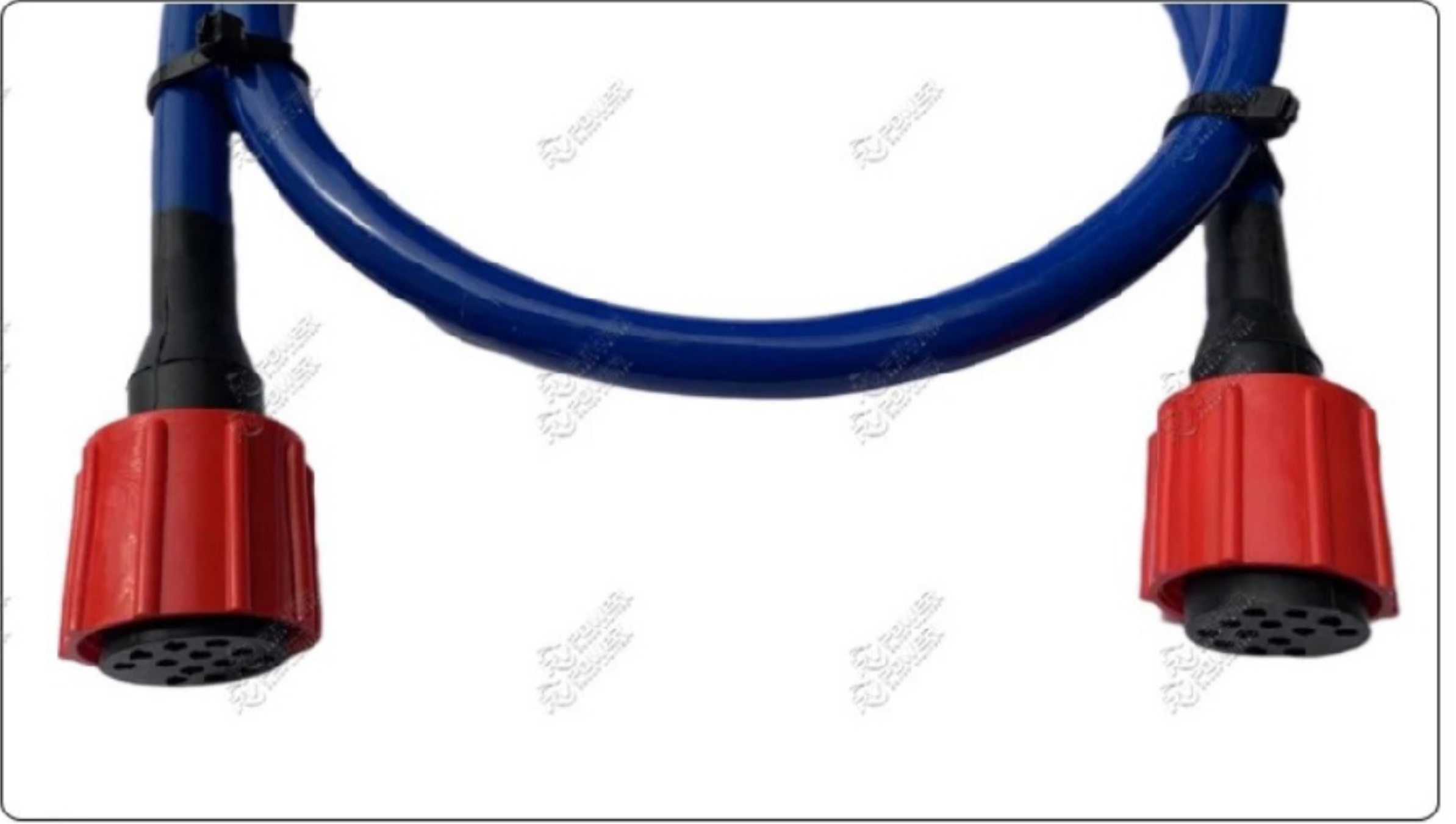


## Power Ethernet Circular - 13 contacts



# Power Ethernet Low Profile - 13 contacts







# **SUBSEA CONNECTORS AND SUBSEA CABLES**

**RV POWER GROUP** is a underwater connector factory in China. We are a global supplier focusing on the ocean (marine) solution for underwater connectors and cables. Specializing in the design, manufacture, sales and service. If your project is in the design stage, we can provide engineering assistance with the professional advice. If your requirements are already specified and ready for quote, we will try our best to meet your deadlines and pricing targets and finally deliver the high-quality stable products as you need.

**RV POWER GROUP** subsea connectors and subsea cables are suitable for oceanographic systems, offshore oil and gas, defense systems, geo-seismic research, diving systems and equipment, ship projects, subsea survey, underwater instruments, mining equipment, underwater monitoring/inspection/observations, underwater data logger, subsea navigator, hydrography equipment, aquaculture farm and services inspection, underwater robotics like remote operation vehicles (ROV's & ROUV's) and autonomous Underwater Vehicles (AUV), and submarines, ship towed sonars and underwater acoustic devices, etc.

With the state-of-the-art technology and professional engineer team, we believe you find the right partner here with excellent service. In case you do not find a suitable solution within our standard range, please do not hesitate to contact us for customization.

# Underwater and harsh environment connectors

Circular Series

Micro Circular Series

Low Profile Series

Micro Low Profile series

Ethernet Series

Optical fiber and Power Series

power series

Aviation plug Series

Coax series

Metal Shell series

RMG Series

55 Series

Specials Series

Underwater PUR Cable

ROV Tether Cable

Additional accessories



Instrumentation cables



Fire-performance & mud-resistant cables



ROV dynamic umbilicals



Maritime LAN



Data acquisition cables



Transfer lines



Copper/fiber LAN



Accessories & custom software



Umbilicals



Remote Operated Vehicles



Marine fiber backbones



Heating cables



Optical fiber backbones



LV, MV, HV cables





## **ETHERNET SERIES**

### **UNDERWATER AND HARSH ENVIRONMENT CONNECTORS**



strong  
x  
durable



# DETAIL DISPLAY



## ONE



The series is developed and manufactured to accommodate the demand for gigabit data speed, signal and power for increasingly capable and compact underwater systems

## TWO

Ethernet series marked the first high speed underwater communications system to offer true Ethernet type performance



## THREE

With power contacts rated for 600 V at 4 A, combined power and Ethernet connectors allow signal and power supply to be unified in one high performance solution.



## FOUR

Ethernet connectors are available with specially designed Ethernet or combined power and Ethernet cables capable of Gigabit speed data transfer up to a distance of 75 metres



## FIVE

This flexible and water-resistant cable is manufactured from polyurethane (PUR).





**OIL RESISTANT**



**FLAE RESISTANT**



**HALOGEN FREE**



**COLD RESISTANT**



**ABRASION RESISTANT**



**OZONE RESISTANT**



**UV RESISTANT**



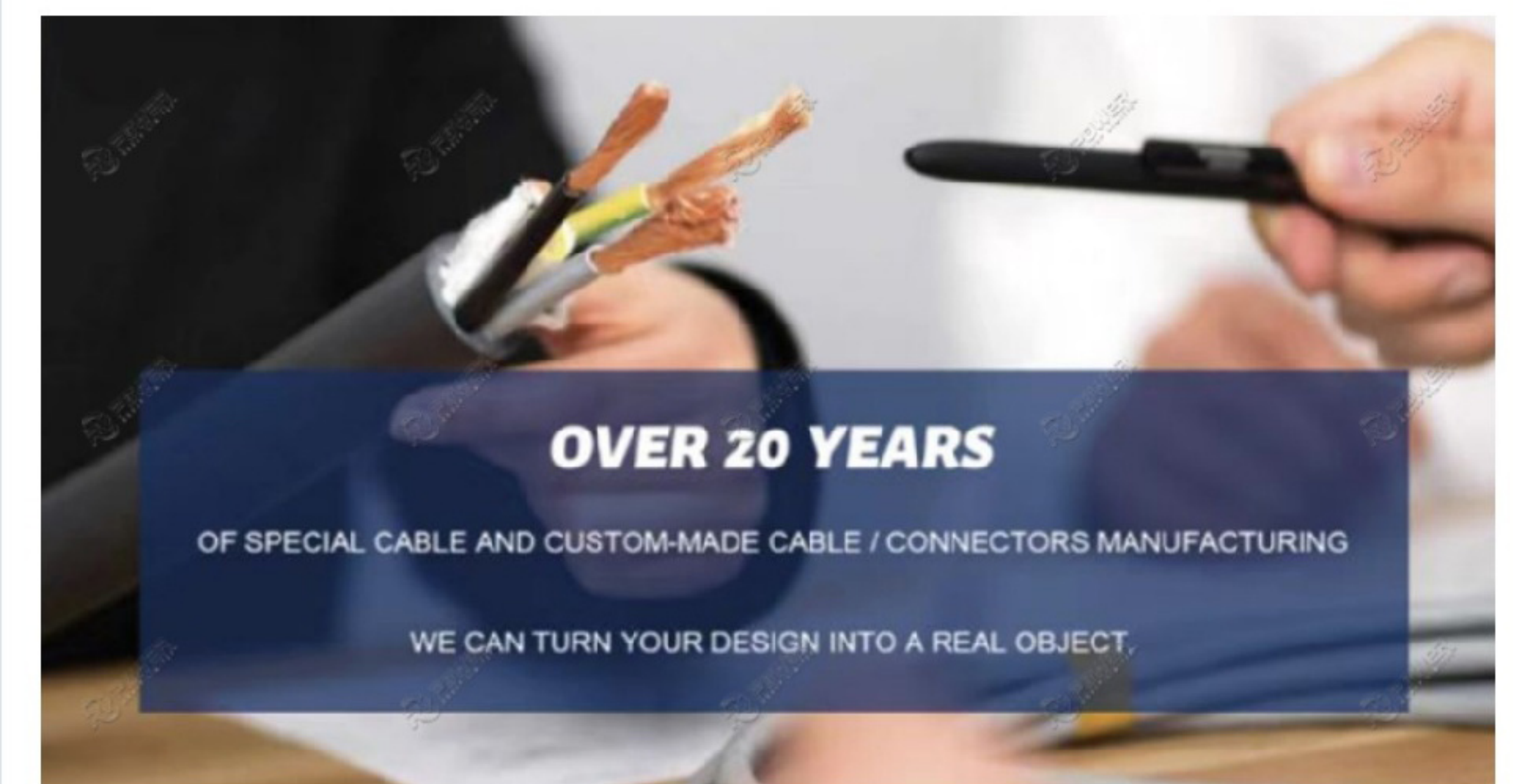
**MICROBE RESISTANT**



**MUD RESISTANT**



**WATER RESISTANT**

A close-up photograph of a person's hands working with a cable. One hand holds a pair of wire cutters, and the other holds a black utility knife, which is being used to strip the outer jacket of a cable. The background is blurred, showing a person in a white shirt.

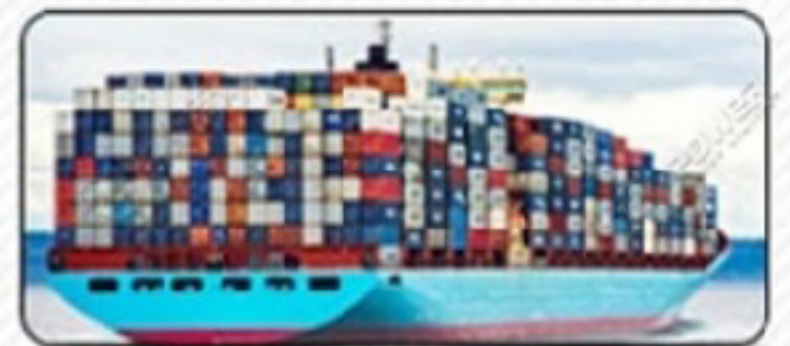
**OVER 20 YEARS**

OF SPECIAL CABLE AND CUSTOM-MADE CABLE / CONNECTORS MANUFACTURING

WE CAN TURN YOUR DESIGN INTO A REAL OBJECT.

A decorative blue banner with a white chevron shape in the center, pointing downwards.

# OUR TRANSPORTATION



# THANK YOU

---

FOR YOUR ATTENTION  
LOOK FORWARD TO COOPERATING WITH YOU



[www.subseaconn.com](http://www.subseaconn.com)



[sales@subseaconn.com](mailto:sales@subseaconn.com)



Jackiefanonline88



Tel:+86 18501648956



Whatsapp: +86-18501648956



specialcable